

# AGILE PLUS S4 1150X525

THE INNOVATIVE PALLET TRUCK (1.200 KG)



## AGILE

The innovative motorized pallet truck that combines electric and manual function for convenient usability.

Compact, light, simple and easy to use, AGILE is the perfect pallet truck to minimize the operator effort, increasing efficiency and safety.

Ideal in deliveries, supermarket, and retail shop, it can be used by everyone.



## AGILE PLUS

The AGILE PLUS is equipped with a Li-ION powerful BATTERY 36V 12,8Ah and the ON BOARD COMPUTER with OLED display that supplies operator several information and the possibility to regulate the maximum travelling speed from 3,2 to 5,3 Km/h, adapting thus the operator experience to the specific application.



## DOUBLE TRACTION WHEEL

The first pallet truck with two traction/steering wheels in the market. The big diameter (200mm) and tread (160mm) provide great stability without the needs of stabilizers. Non-marking rubbers grant great traction and comfortable usage on all applications.



## LI-ION BATTERY

Long life 36V battery easy to remove for charging and continuous operation with the spare battery.

Two types of charger available (bench and wall mounted) with standard and fast charging time.



## HIGH SPEED

The two motorwheels grant high performances and make the AGILE the fastest of the category. The AC technology and the soft non-marking rubbers make the AGILE an extremely quiet unit.



## ELECTRIC / MANUAL SWITCH

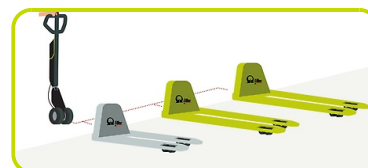
The AGILE is equipped with a MANUAL SWITCH that can be used in the eventual case of low battery: electro brakes are released and the small friction created makes the AGILE as reliable as a standard pallet truck.

On order to move the unit in narrow space AGILE is equipped with TURTLE SWITCH to allow for operation with the tiller in vertical position on reduced speed.



## ALL FRAMES USE

Separate drive unit can be combined with frames of any size or metal (steel painted, galvanized, stainless steel) with a low impact cost and short delivery time. Please ask to your Pramac dealer for the combination requested.



## LOW MAINTENANCE COST

Simple design with very few components and wiring enabling easy and fast maintenance.



## ON-BOARD COMPUTER

Front OLED display with 6 selectable screens provides valuable info on truck activity and allows performance setup:

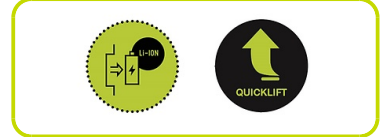
Pressing the central SCROLL button, operator can get information on:

- Battery status of charge (% of charge)
- Timers (total and partial in h)
- Odometer (total and partial in km)
- Speed setting (% of max speed)
- Diagnostic
- Error page



## OPTIONS

- Quicklift hydraulic pump to lift the pallet in just two strokes
- Additional battery for continuous use
- Fast charging battery charger



## Description

1.1 Изготовитель		PR INDUSTRIAL
Подъема		ручной
1.3 ТИП УПРАВЛЕНИЯ		ELECTRIC
1.4 ТИП УПРАВЛЕНИЯ		Ручной
1.5 Грузоподъемность	Q Kg	1200
1.6 РАССТОЯНИЕ ДО ЦЕНТРА ТЯЖЕСТИ ГРУЗА	c mm	600
1.8 Load distance, center or drive axle to fork	x mm	932
1.9 КОЛЕСНАЯ БАЗА	y mm	1192

## Weights

2.1 Вес Штабелера С Аккумулятором (Без Груза)	Kg	88
2.2 НАГРУЗКА НА ОСИ ПОД ГРУЗОМ, ЗАДНЯЯ ОСЬ	Kg	891
2.2 НАГРУЗКА НА ОСИ ПОД ГРУЗОМ, ПЕРЕДНЯЯ	Kg	395
2.3 НАГРУЗКА НА ОСИ БЕЗ ГРУЗА, ПЕРЕДНЯЯ	Kg	59
2.3 НАГРУЗКА НА ОСИ БЕЗ ГРУЗА, ЗАДНЯЯ ОСЬ	Kg	27

## Tyres/Chassis

3.1 Переднее Колесо		RUBBER
3.1 Tyres: stabilizers wheels - front		POLY.I.
3.1 Задние Колеса		NYLON
3.2 Размеры Передних Колес (Ширина)	mm	40
3.2 Размеры Передних Колес (Ø)	mm	200
3.3 Размеры Задних Колес (Ø)	mm	82
3.3 Размеры Задних Колес (Ширина)	mm	60
3.5 Размер шины: задние колеса	nr	4
3.5 Размер шины: передние колеса	nr	2x
3.6 Колея, Передние Колеса	b10 mm	162
3.7 Колея, Задние Колеса	b11 mm	375

## Dimensions

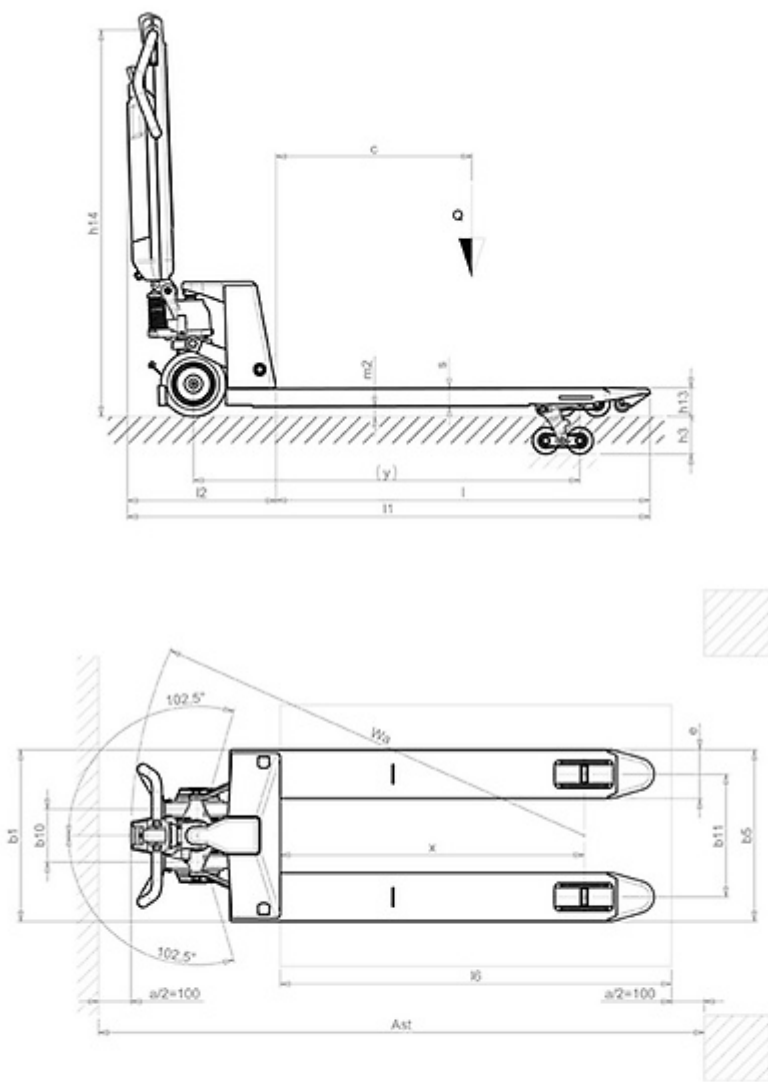
4.4 Высота Подъема	h3 mm	115
4.9 Высота Рукоятки При Движении Тележки Макс	h14 mm	1185
4.9 Height of tiller in drive position min	h14 mm	710
4.15 Высота Вил В Опущенном Положении	h13 mm	85
4.19 Общая Длина Тележки	l1 mm	1600
4.20 Расстояние До Основания Вил	l2 mm	450
4.21 Общая Ширина Тележки	b1 mm	525
4.22 Размеры Вил	s mm	55
4.22 Размеры Вил	e mm	150
4.22 Размеры Вил	l mm	1150
4.25 Расстояние Между Вилами (По Наружному Краю)	b5 mm	525
4.32 Клиренс, В Центре Колесной Базы	m2 mm	30
4.34 Расстояние между пролетами стеллажей Для свободной работы с паллетой 800x1200 (продольная установка паллеты)	Ast mm	2063
4.35 Радиус Поворота Тележки	Wa mm	1382

## Performances

5.1 Travel speed laden	Km/h	4.2
5.1 Travel speed unladen	Km/h	5.3
5.2 Скорость Подъема Тележки, С Нагрузкой	strokes	12
5.2 Скорость Подъема Тележки, С Без Груза	strokes	12
5.3 Lowering speed laden	m/s	0.1
5.3 Lowering speed unladen	m/s	0.02
5.8 Max gradeability laden	%	5
5.8 Max gradeability unladen	%	10
5.10 Тормоз	Электрический	

## Electric motors

6.1 Drive motor power	kW	2x0.25
Тип батареи	Тип	Li-ion
6.4 Battery voltage	V	36
6.4 Battery capacity, Min	Ah	12.8
6.4 Battery capacity, Max	Ah	12.8
6.5 Battery weight, Min	Kg	3
6.5 Battery weight, Max	Kg	3
8.4 Sound level at driver's ear	dB(A)	60



The information is aligned with the Data file at the time of download. Printed on 26/06/2019 (ID 10567)

©2019 | PR INDUSTRIAL s.r.l. | All rights reserved | Image shown may not reflect actual package. Specifications subject to change without notice

